



DMPSD

Complete Rework Station with DT530

This Plug & Play Guide corresponds to the following references:

Ref.

DMPSD-9QB (100 V)
DMPSD-1QB (120 V)
DMPSD-2QB (230 V)

Station

More Information on the
product web page



Packing List

The following items are included according to purchased station reference:



DME
4-Tool Control Unit 1 unit
 Ref. DME-9B (100 V)
 Ref. DME-1B (120 V)
 Ref. DME-2B (230 V)

MSE
Electric Desoldering Module 1 unit
 Ref. MSE-B



T210
Precision Handle 1 unit
 Ref. T210-A

T245
General Purpose Handle 1 unit
 Ref. T245-A



AM120
Adjustable Micro Tweezers 1 unit
 Ref. AM120-A

DT530
Angled Desoldering Iron 1 unit
 Ref. DT530-A



ADS
Stand for T210 & T245 Handles 2 units
Ref. AD-SF



AMS
Stand for AM120 Adjustable Micro Tweezers 1 unit
Ref. AM-SF



DTS
Stand for DT530 Angled Desoldering Iron 1 unit
Ref. DT-SB



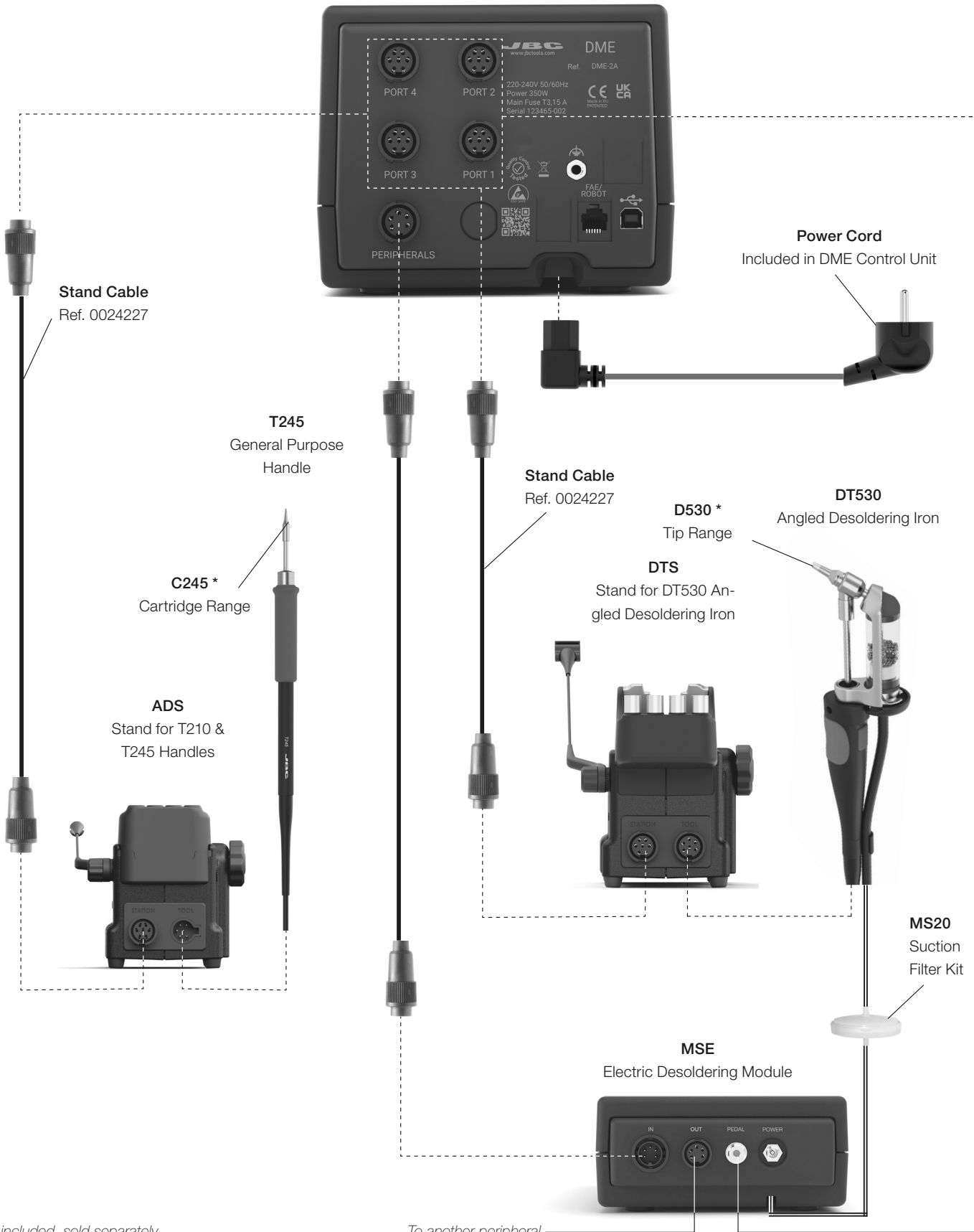
P405
Pedal 1 unit
Ref. P-405



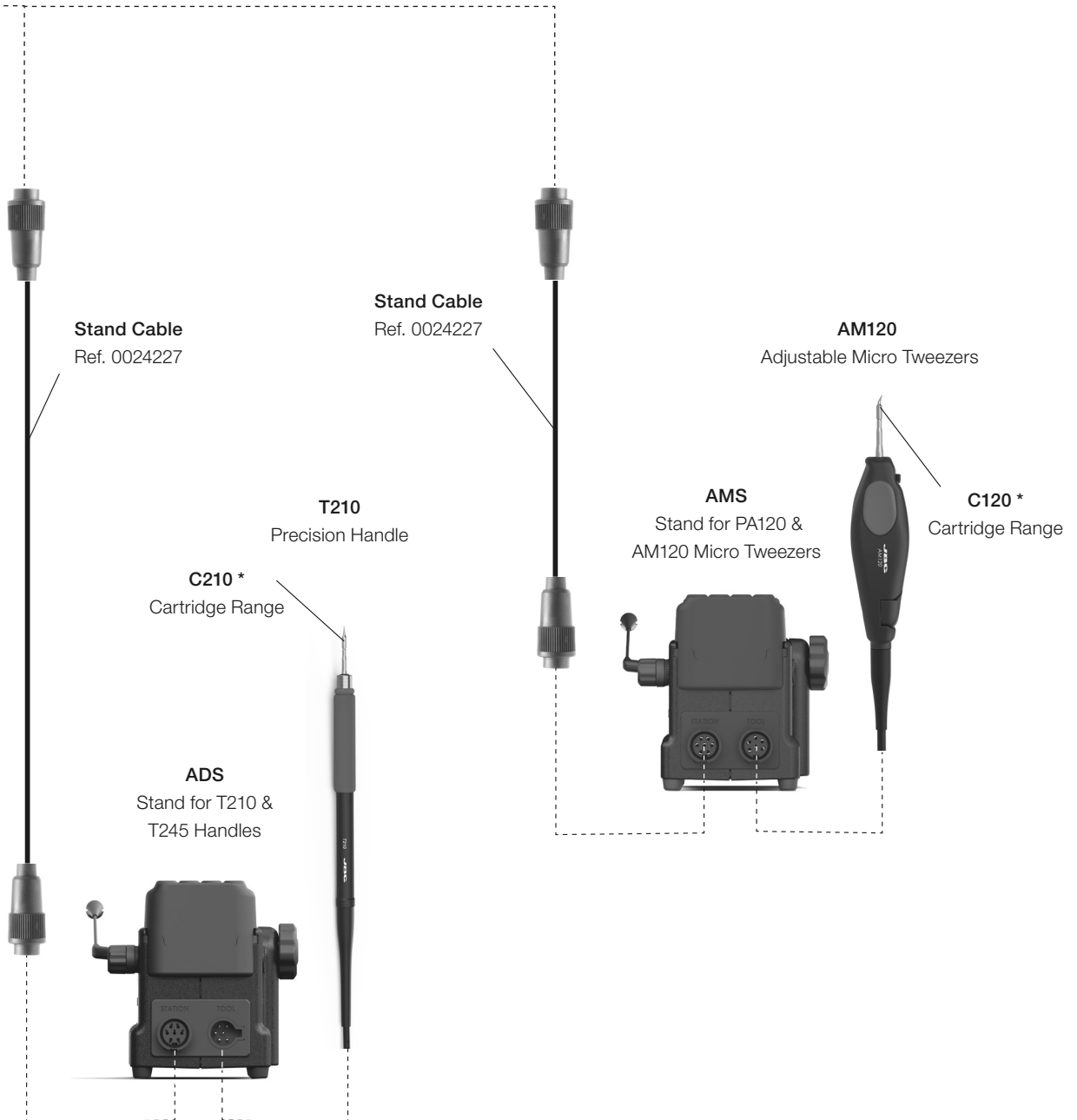
SCH
Cartridge Holder 1 unit
Ref. SCH-A

Installation

DME 4-Tool Control Unit



* Not included, sold separately.



P405
Pedal



** Not included, sold separately.*

Specifications

DMPSD

Complete Rework Station with DT530

Ref. **DMPSD-9QB** (100 V)

Ref. **DMPSD-1QB** (120 V)

Ref. **DMPSD-2QB** (230 V)

- Package Dimensions / Weight:
(L x H x W)

620 x 385 x 395 mm / 16.24 kg

24.41 x 15.12 x 15.55 in / 35.80 lb

Complies with CE standards.

ESD safe.

JBC

Warranty

Information regarding the warranty of each product can be found on the final page of its instruction manual.



This product should not be thrown in the garbage.

In accordance with the European directive 2012/19/EU, electronic equipment at the end of its life must be collected and returned to an authorized recycling facility.